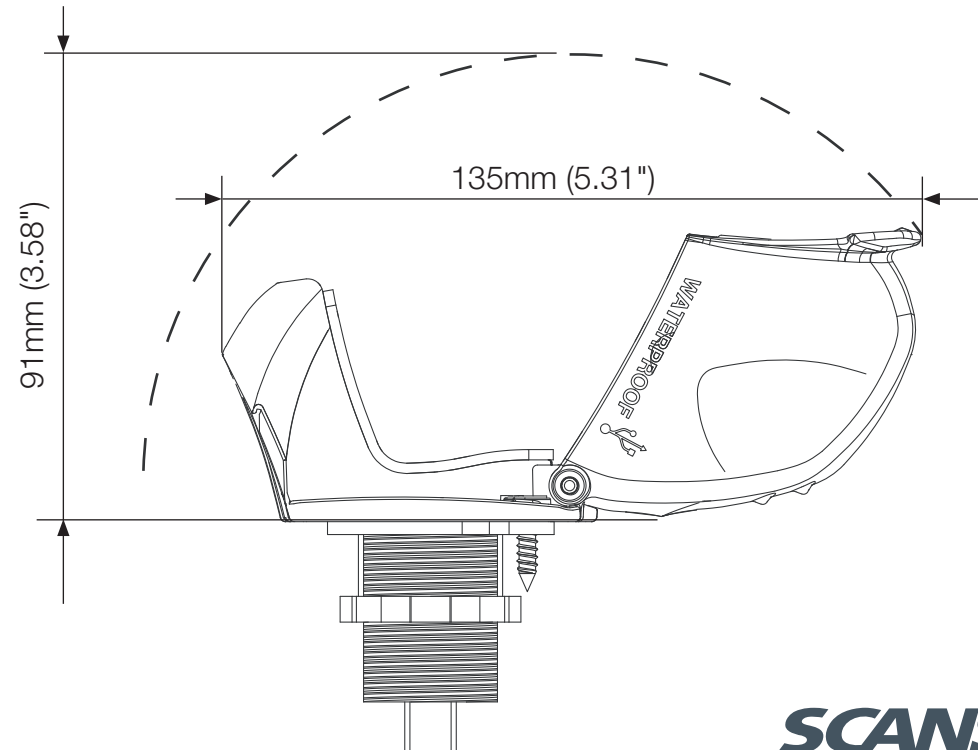
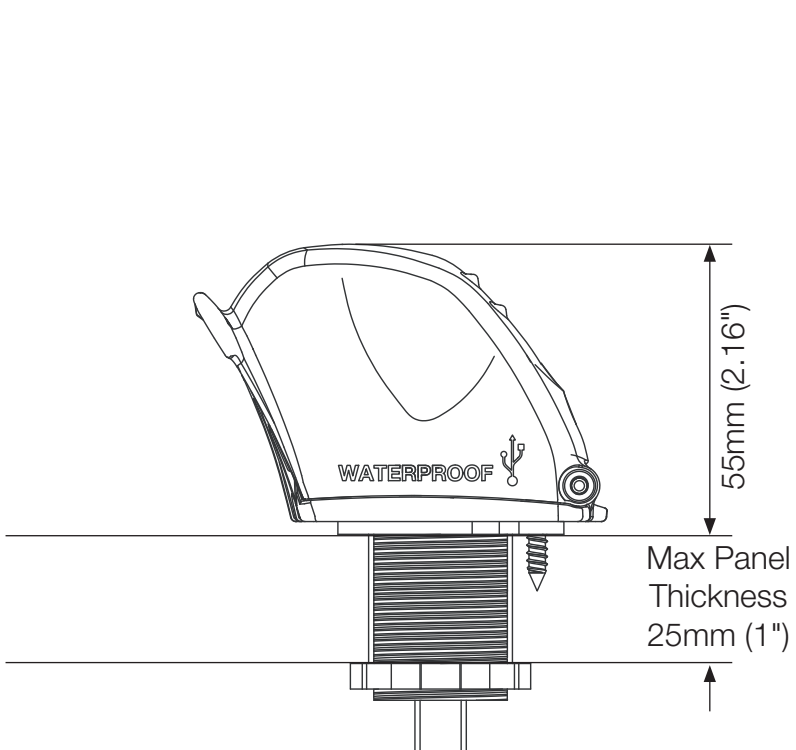
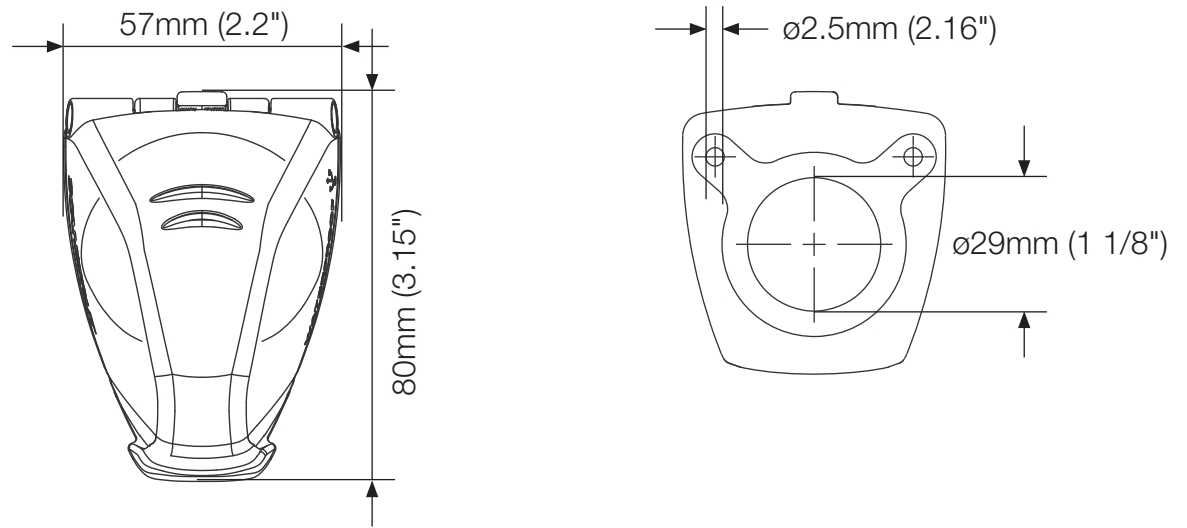


# Waterproof USB Dual Charge Socket - **SC-USB-01**

For help & information  
 email: [sales@scanstrut.com](mailto:sales@scanstrut.com)  
 tel: +44 (0) 1392531280

## Technical information

Input voltage 12/24V System	6-30V DC
Input current Max	1.5A
Output Type A	5V =1A
Output Type A	5V=2.1A
Total Output Current	3.1A
Standby draw	0.01W
Waterproof rating	IPX4
Certification	CE, UKCA, ROHS



**SCANSTRUT**